



SG290P

RESIDENTIAL LINE



Peimar polycrystalline solar panels made in Italy provide customers with a perfect combination of high-efficiency and versatility. Thanks to the use of high-quality solar cells, our panels achieve outstanding performance and ensure maximum production output even under poor lighting and weather conditions. The strong yet ultra-light frames, available in silver or black make installation easy but robust in either residential, commercial or large-scale settings.



30 YEAR LINEAR POWER WARRANTY

20 YEAR PRODUCT WARRANTY



MODULE FIRE PERFORMANCE: **CLASS 1**

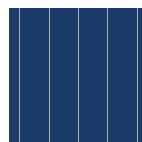


ANTI-REFLECTIVE GLASS



QBE INSURANCE
Product Liability Insurance QBE

CELLS



60 CELLS
POLY 5BB

156.75x156.75 mm / 6.17x6.17"

FRAME



COMPACT AND STURDY | **40mm**

ANCHORABLE ALSO ON THE SHORT SIDE ⁽⁵⁾

ELECTRICAL CHARACTERISTICS (STC) ⁽¹⁾

| | |
|--|--|
| Nominal Output (Pmax) ⁽²⁾ | |
| Sorting Tolerance | |
| Voltage at Pmax (Vmp) | |
| Current at Pmax (Imp) | |
| Open Circuit Voltage (Voc) ⁽²⁾ | |
| Short Circuit Current (Isc) ⁽²⁾ | |
| Maximum System Voltage | |
| Maximum Series Fuse Rating | |
| Module Efficiency | |
| Protection class against electric shock | |

SG290P

| | |
|--|----------|
| Nominal Output (Pmax) ⁽²⁾ | 290 W |
| Sorting Tolerance | 0/+5 W |
| Voltage at Pmax (Vmp) | 32.2 V |
| Current at Pmax (Imp) | 9.01 A |
| Open Circuit Voltage (Voc) ⁽²⁾ | 39.28 V |
| Short Circuit Current (Isc) ⁽²⁾ | 9.64 A |
| Maximum System Voltage | 1500 V |
| Maximum Series Fuse Rating | 15 A |
| Module Efficiency | 17.83% |
| Protection class against electric shock | Class II |

MECHANICAL CHARACTERISTICS

| | |
|---------------------------|---|
| Solar Cells | 60 (6x10) polycrystalline |
| Solar Cells Size | 156.75x156.75 mm / 6.17x6.17" |
| Front Cover | 3.2 mm / 0.13" thick, low iron tempered glass |
| Back Cover | TPT (Tedlar-PET-Tedlar) |
| Encapsulant | EVA (Ethylene vinyl acetate) |
| Frame | Anodized aluminium alloy, double wall |
| Frame finishing | Silver / Black |
| Backsheet finishing | White |
| Diodes | 3 Bypass diodes serviceable |
| Junction Box | IP67 rated |
| Connector | MC4 or compatible connector |
| Cables Length | 900 mm / 35.43" |
| Cables Section | 4.0 mm ² / 0.006 in ² |
| Dimensions | 1640x992x40 mm / 64.57x39.06x1.57" |
| Weight | 18 Kg / 39.68 lbs |
| Max Load (Test Load) - SF | 5400 Pa - 1.5 ⁽⁵⁾ |

TEMPERATURE CHARACTERISTICS

| | |
|---------------------------------|----------------|
| NMOT ⁽³⁾ | 45±2 °C |
| Temperature Coefficient of Pmax | -0.39 %/°C |
| Temperature Coefficient of Voc | -0.28 %/°C |
| Temperature Coefficient of Isc | 0.042 %/°C |
| Operating Temperature | -40 °C ~ +85°C |

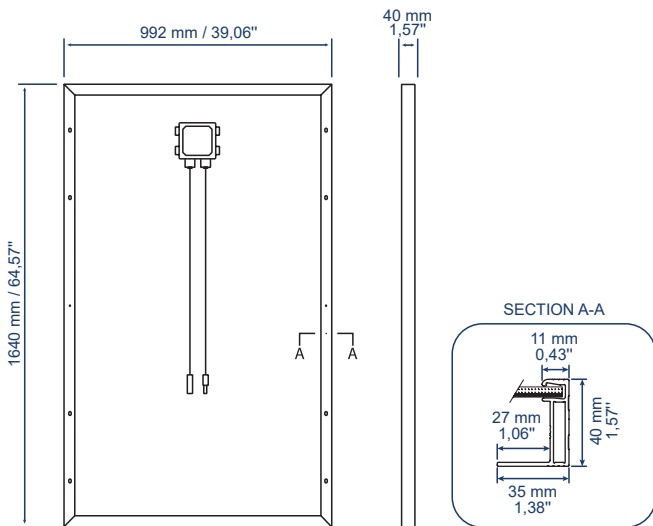
PACKAGING ⁽⁴⁾

| | |
|-------------------|--|
| Pallet dimensions | 1700x1200x1200 mm / 66.93x47.24x47.24" |
| Pieces per pallet | 27 |
| Weight | 516 Kg / 1138 lbs |

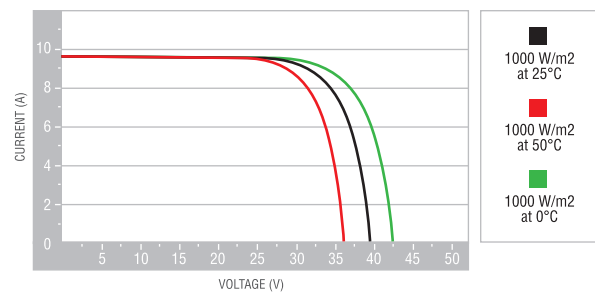
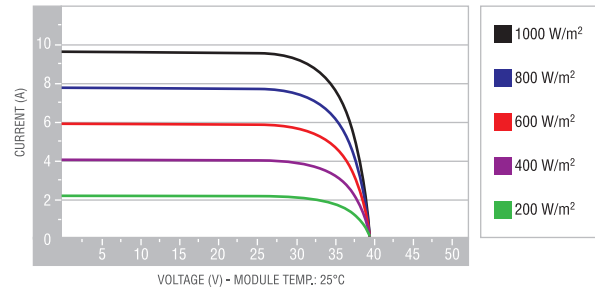
CERTIFICATIONS

| | |
|------------------------|--|
| Fire Resistance Rating | Class of reaction to fire 1 (UNI 9177) |
|------------------------|--|

DIMENSIONS



CURRENT/VOLTAGE CHARACTERISTICS



1. STC: (Standard Test Condition) Irradiance 1000W/m²; Module Temperature 25°C; Air Mass 1.5

2. Pmax, Voc, Isc measurement tolerance: ±3%

3. NMOT: Nominal Module Operating Temperature; Irradiance 800W/m²; Air 20°C; Wind speed 1m/s

4. Pallets can be stacked up to two

5. Consult the installation manual for the relative mounting configurations